



GEAR COUPLINGS

TYPES AND OPERATING DESCRIPTION

Properties of gear couplings




		
Product	BoWex®	GEARex®
Type	Curved-tooth gear coupling*	All-steel gear coupling
Properties		
AGMA		●
Torsionally rigid	●	●
Damping vibrations	HEW Compact	
Maintenance-free	●	
Axial plug-in	●	
Compensating for misalignment	●	●
Shear type		●
Shear type	●	
Electric insulation	●	○
Special features		
Variation	very high Extensive basic programme from stock with customized solutions also being available	average Extensive basic programme from stock with customized solutions also being available
Applications/core industries	Pump drives, general engineering & hydraulics, food industry,...	Heavy engineering, transport, logistics, cement industry, ...
Torque range T_{KN} [Nm]		
Max.	2.500	2.750.000
Speed range n [rpm]*		
Max.	14.000	8.500
Hub materials available		
Nylon	●	
Quality steel (C45)	size 65-125	up to size 85
Alloyed Q & T steel (42CrMo4)		from size 90
Powder metal steel » subject to mould	size 14-65	
Stainless steel	●	
Other special materials possible	●	●
Corrosion-protected types	○	○
Sleeve (standard and special)		
Material	Polyamide, polyamide with carbon fibre share, natural rubber	-
Elastomer	highly flexible	-
Temperature range [°C] min. / max.		
Standard	-25 / +100	-20 / + 80
Special	-50 / +120	-40 / +120

- ≈ Standard
- ≈ On request
- * ≈ Depending on size

GEAR COUPLINGS

TYPES AND OPERATING DESCRIPTION

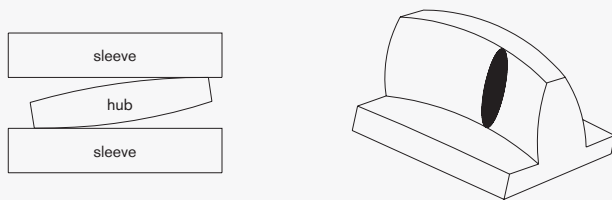
Product finder of gear couplings

Product	BoWex®	GEARex®
Type	Curved-tooth gear coupling®	All-steel gear coupling
Geometries		
Design	compact	short / compact
Mass moment of inertia	low	average
Shaft distance dimension	very low	very low
Types (extract)		
Shiftable coupling type	SD, SD-1, SD-D, SD-D3	SD
Flange type	-	FA, FB, FAB, FH, FR
Cover type	-	DA, DB, DAB, DH, DR
Suitable for horizontal assembly	Standard	Standard
Suitable for vertical assembly	Standard	VD
Sleeve can be disassembled radially » with no need of displacing driving/driven side	GT	-
Intermediate shaft type » bridging larger shaft distances	Junior plug-in coupling, ZR	FH, DH
Single-cardanic	Junior plug-in coupling, HEW Compact	FR, DR
Double-cardanic » compensating for big displacements » lower restoring forces	Standard	Standard
Certifications/type examinations		
ATEX 	●	●
DNV-GL 	●	●
Bureau Vertias 	●	
ABS 		●
GOST R/ GOST TR 	●	
Curved-tooth gear principle 	●	●

● ≈ Standard

Details on spline

Hub with crowned spline (BoWex® and GEARex®)



According to the operating principle of the well-known crowned gear, edge pressure in the spline is avoided with angular and radial displacements.

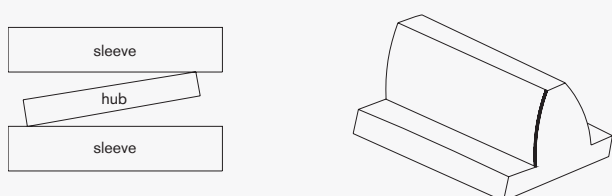
BoWex®:

The smooth and hard surface of the BoWex® sleeve (crystalline structure) and the high thermal stability and resistance to lubricants, fuels, hydraulic fluids, dissolvents, etc. make polyamide an ideal material for components stressed by sliding, particularly for the coupling production.

GEARex®:

In order to ensure a regular and controlled lubrication in assembled condition, two connections for hydraulics are arranged opposite to each other radially on each coupling sleeve. As a result a complete GEARex® coupling has four connections being offset to each other by 90°.

Hub with spur toothing



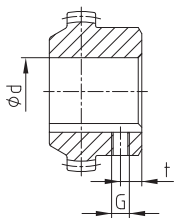
BoWex® Curved-tooth gear coupling®

Technical data

Power, Torque and Speed							
Type and size		Power P [kW] / n [rpm]		Torque T _K [Nm]			Max. speed [rpm]
		Rated	Max.	T _{KN}	T _{K max.}	T _{KW}	
Type plug-in coupling / junior M	junior 14 / M-14	0,0005	0,010	5	10	2,5	6000
	junior 19 / M-19	0,0008	0,0017	8	16	4	6000
	junior 24 / M-24	0,0013	0,0025	12	24	6	6000
Type M I AS Spez.-I SG SSR	14	0,0010	0,003	10	30	5	14000
	19	0,0017	0,005	16	48	8	11800
	24	0,0021	0,006	20	60	10	10600
	28	0,0047	0,014	45	135	23	8500
	32	0,0063	0,019	60	180	30	7500
	38	0,0084	0,025	80	240	40	6700
	42	0,010	0,031	100	300	50	6000
	45 / 48	0,015	0,044	140	420	70	5600
	65	0,040	0,119	380	1140	190	4000
	80	0,073	0,22	700	2100	350	3150
	100	0,13	0,38	1200	3600	600	3000
	125	0,26	0,78	2500	7500	1250	2120
	Type M...C GT	14	0,0015	0,0047	15	45	7,5
19		0,0025	0,0075	24	72	12	11800
24		0,003	0,009	30	90	15	10600
28		0,007	0,022	70	210	35	8500
32		0,009	0,028	90	270	45	7500
38		0,013	0,038	120	360	60	6700
48		0,021	0,063	200	600	100	5600
65		0,058	0,18	560	1680	280	4000
type HEW Compact	T50 Sh	0,0168	0,0503	150	450	45	7300
	42-130 T65 Sh	0,0188	0,0565	180	540	54	7300
	T70 Sh	0,0220	0,0660	210	630	63	7300
	T50 Sh	0,0419	0,1257	400	1200	120	5500
	65-180 T65 Sh	0,0524	0,1571	500	1500	150	5500
	T70 Sh	0,0602	0,1806	575	1725	172	5500
	T50 Sh	0,0916	0,2749	900	2700	270	4400
	80-225 T65 Sh	0,1152	0,3455	1100	3300	330	4400
	T70 Sh	0,1361	0,4084	1300	3900	390	600
	T50 Sh	0,2199	0,6597	2000	6000	600	3200
	100-305 T65 Sh	0,2723	0,8168	2600	7800	780	3200
	T70 Sh	0,3141	0,9424	3000	9000	900	3200
	T40 Sh	0,3141	0,9424	3000	9000	900	2900
	125-365 T50 Sh	0,4188	1,2565	4000	12000	1200	2900
	T65 Sh	0,5236	1,5707	5000	15000	1500	2900

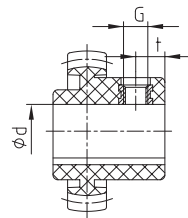
Thread for setscrew

(Thread dimensions for fixing screws. BoWex® coupling hubs with cylindrical bore)



Position of the thread for setscrews
BoWex® M-14 to M-24
opposite to the keyway

BoWex® M-28 to I-125
on the keyway



Position of thread with BoWex®
junior plug-in coupling and
junior M coupling

BoWex® – Kupplungs-naben							
Size Dimensions	14 19 24	28 32 38	42 45 48	65	80	100	125
Thread G	M5	M8	M10	M10	M12	M16	
Distance t	6	10	15 ¹⁾ 20	20	30	40	
Tightening torque T _A [Nm]	2	10	17	17	40	80	

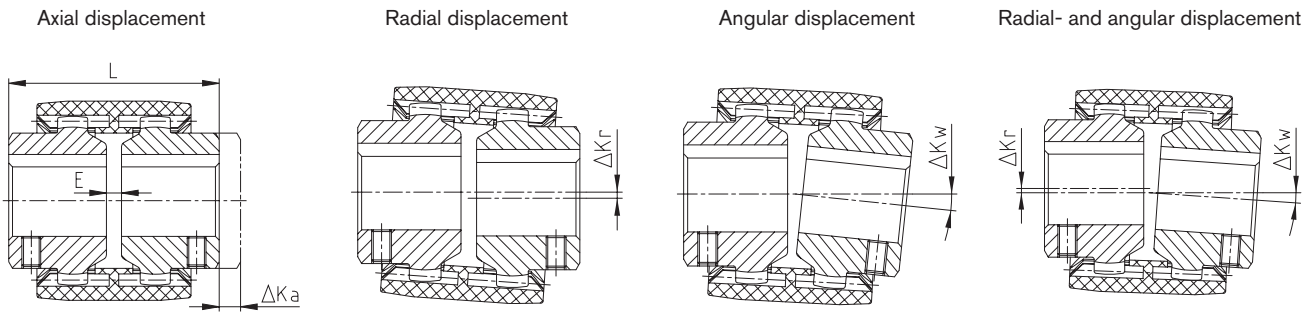
BoWex® junior – Kupplungs-naben			
Size Dimensions	14	19	24
Thread G	M5	M5	M5
Hub 1b - Distance t	6	6	6
Plug-in sleeve 2b - Distance t	8	10	10
Tightening torque T _A [Nm]	1,4	1,4	1,4

¹⁾ Length of hub 55 mm t = 15 mm, 70 mm t = 20 mm

BoWex® Curved-tooth gear coupling®

Displacements

BoWex® couplings are double- cardanic and in addition to transmitting the power compensate for axial, radial and angular shaft displacements in a way to prevent damages from the driving or driven machine, respectively.



Displacements – type junior couplings						
BoWex® size	Type junior plug-in coupling			Type junior M		
	14	19	24	14	19	24
Max. axial displacement ΔK_a [mm]	± 1	± 1	± 1	± 1	± 1	± 1
Max. radial displacement with n=1500 rpm ΔK_r [mm] n=1500 rpm. ΔK_r [mm]	± 0,1	± 0,1	± 0,1	± 0,3	± 0,3	± 0,4
Max. radial displacement with n=3000 rpm ΔK_r [mm] n=3000 rpm. ΔK_r [mm]	± 0,1	± 0,1	± 0,1	± 0,3	± 0,3	± 0,4
Max. angular displacement with n= 1500 rpm ΔK_w [degree] n=1500 rpm. ΔK_w [Grad]	± 1,0	± 1,0	± 0,9	± 1,0	± 1,0	± 0,9
Max. angular displacement with n= 3000 rpm ΔK_w [degree] n=3000 rpm. ΔK_w [Grad]	± 0,7	± 0,7	± 0,6	± 0,7	± 0,7	± 0,6

Displacements – type M, I, AS, Spec.-I, SG and SSR												
BoWex® size	14	19	24	28	32	38	42	48	65	80	100	125
Max. axial displacement ΔK_a [mm]	± 1	± 1	± 1	± 1	± 1	± 1	± 1	± 1	± 1	± 1	± 1	± 1
Max. radial displacement with n=1500 rpm ΔK_r [mm] n=1500 rpm. ΔK_r [mm]	± 0,30	± 0,30	± 0,35	± 0,35	± 0,35	± 0,40	± 0,40	± 0,40	± 0,45	± 0,45	± 0,45	± 0,45
Max. radial displacement with n=3000 rpm ΔK_r [mm] n=3000 rpm. ΔK_r [mm]	± 0,20	± 0,20	± 0,23	± 0,23	± 0,23	± 0,25	± 0,25	± 0,25	± 0,28	± 0,28	± 0,28	± 0,28
Max. angular displacement with n= 1500 rpm ΔK_w [degree] n=1500 rpm. ΔK_w [Grad]	± 1,0	± 1,0	± 0,9	± 0,9	± 0,9	± 0,9	± 0,9	± 0,9	± 0,7	± 0,6	± 0,6	± 0,4
Max. angular displacement with n= 3000 rpm ΔK_w [degree] n=3000 rpm. ΔK_w [Grad]	± 0,7	± 0,7	± 0,6	± 0,6	± 0,6	± 0,6	± 0,6	± 0,6	± 0,5	± 0,4	± 0,4	± 0,3

BoWex® size	Displacements – Type GT				Displacements – Type HEW Compact														
	28	38	48	65	42-130			65-180			80-225			100-305			125-365		
					T50	T65	T70	T50	T65	T70	T50	T65	T70	T50	T65	T70	T40	T52	T65
Max. axial displacement ΔK_a [mm]	± 1	± 1	± 1	± 1	± 2			± 2			± 2			± 2			± 2		
Max. radial displacement with n=1500 rpm ΔK_r [mm]	± 1	± 1	± 1,4	± 1,4	±1,1	±1	±0,5	±1,6	±1,5	±0,7	±1,8	±1,7	±2,2	±2,2	±2	±1	±2,5	±2,3	±1,1
Max. radial displacement with n=3000 rpm ΔK_r [mm] n=3000 rpm ΔK_r [mm]	± 0,6	± 0,6	± 1	± 1	±0,55	±0,5	±0,25	±0,8	±0,75	±0,35	±0,9	±0,85	±1,1	±1,1	±1	±0,5	±1,25	±1,15	±0,55
Max. angular displacement with n= 1500 rpm ΔK_w [degree]	± 1	± 1	± 0,9	± 0,9	±1	±0,75	±0,5	±1	±0,75	±0,5	±1	±0,75	±1	±1	±0,75	±0,5	±1	±0,75	±0,5
Max. angular displacement with n= 3000 rpm ΔK_w [degree]	± 0,7	± 0,7	± 0,6	± 0,6	±0,5	±0,4	±0,25	±0,5	±0,4	±0,25	±0,5	±0,4	±0,5	±0,5	±0,25	±0,25	±0,5	±0,4	±0,25

The above-mentioned figures of displacement of BoWex® couplings are standard values taking into account the load of the coupling up to the rated torque TKN. With different operating conditions please order our data sheet for displacements of BoWex® KTR-N 20140.

The displacement figures may only be used one by one - if they appear simultaneously, they must be limited in proportion. With assembly of the coupling please make sure that the distance dimension E is accurately adhered to keep the coupling movable when in operation. Please see our detailed mounting instruction at our homepage (www.ktr.com),

BoWex® Curved-tooth gear coupling®

Cylindrical bores, taper/inch bores see selection of IEC standard motors

Stock programme cylindrical finish bore [mm] H7 feather keyway to DIN 6885 sheet 1 [JS9] with thread for setscrew																														
BoWex® Size	un-/pre-bored	Ø8	Ø10	Ø11	Ø12	Ø14	Ø15	Ø16	Ø17	Ø18	Ø19	Ø20	Ø22	Ø24	Ø25	Ø28	Ø30	Ø32	Ø35	Ø38	Ø40	Ø42	Ø45	Ø48	Ø50	Ø55	Ø60	Ø65	Ø70	Ø75
14	●	●	●	●	●	●	●																							
19	●		●	●	●	●	●	●	●	●	●	●	●	●	●	●	●	●	●	●	●	●	●	●	●	●	●	●	●	
24	●		●	●	●	●	●	●	●	●	●	●	●	●	●	●	●	●	●	●	●	●	●	●	●	●	●	●	●	
28	●				●	●	●	●	●	●	●	●	●	●	●	●	●	●	●	●	●	●	●	●	●	●	●	●	●	
32	●							●		●	●	●	●	●	●	●	●	●	●	●	●	●	●	●	●	●	●	●	●	
38	●							●		●	●	●	●	●	●	●	●	●	●	●	●	●	●	●	●	●	●	●	●	
42	●									●	●	●	●	●	●	●	●	●	●	●	●	●	●	●	●	●	●	●	●	
48	●										●	●	●	●	●	●	●	●	●	●	●	●	●	●	●	●	●	●	●	
65	●											●	●	●	●	●	●	●	●	●	●	●	●	●	●	●	●	●	●	
80	●																					●	●	●	●	●	●	●	●	

● Standard length ■ Standard lengthened

Stock programme taper and inch bores																				
Code d +0,05 b JS9 t +0,2	Taper 1:5					Taper 1:8					Inch bores									
	A-10 9,85 2	B-17 16,85 3	C-20 19,85 4	D-25 24,85 5	E-30 29,85 6	N/1 9,7 2,4	N1d 14 3	N/2 17,28 3,2	N/2a 17,28 4	N/3 22 3,99	Ta 12,7 3,17 14,3	DNC 13,45 3,17 14,9	Ed 15,87 4,75 18,1	A 19,05 4,78 21,3	G 22,22 4,75 24,7	F 22,22 6,38 25,2	Bs 25,38 6,37 28,3	Hs 25,4 6,35 28,7	K 31,75 7,93 35,4	
14	●						●						●							
19		●					●						●							
24	●	●					●		●	●		●		●	●					
28	●	●					●	●	●	●		●		●						
32		●																		
38		●							●	●				●					●	
42		●		●					●	●		●		●		●				
48									●	●		●		●						
65																				●

Further dimensions on request.

BoWex® couplings for standard IEC motors, protection class IP 54/IP 55											
Rotary current motor Size	Motor output with 50 Hz n = 3000 [rpm]			Motor output with 50 Hz n = 1500 [rpm]			Motor output with 50 Hz n = 1000 [rpm]			Cylindrical shaft ends d x l [mm] 3000 ≤ 1500	
	kW	T [Nm]	BoWex® coupling	kW	T [Nm]	BoWex® coupling	kW	T [Nm]	BoWex® coupling		
56	0,09	0,32		0,06	0,43		0,037	0,43		9 x 20	
	0,12	0,41		0,09	0,64		0,045	0,52			
63	0,18	0,62	14	0,12	0,88	14	0,06	0,72	14	11 x 23	
	0,25	0,86		0,18	1,3		0,09	1,1			
71	0,37	1,3		0,25	1,8		0,18	2,0		14 x 30	
	0,55	1,9		0,37	2,5		0,25	2,7			
80	0,75	2,5	19	0,55	3,7	19	0,37	3,9	19	19 x 40	
	1,1	3,7		0,75	5,1		0,55	5,8			
90 S	1,5	5,0	24	1,1	7,5	24	0,75	8,0	24	24 x 50	
90 L	2,2	7,4		1,5	10		1,1	12			
100 L	3	9,8	28	2,2	15	28	1,5	15	28	28 x 60	
				3	20						
112 M	4	13		4	27		2,2	22			
132 S	5,5	18	38	5,5	36	38	3	30	38	38 x 80	
	7,5	25					4	40			5,5
132 M				7,5	49						
160 M	11	36	42	11	72	42	7,5	75	42	42 x 110	
	15	49									
160 L	18,5	60	48	15	98	48	11	108	48	48 x 110	
180 M	22	71		18,5	121		15	148			
180 L				22	144						
200 L	30	97		30	196		18,5	181		55 x 110	
	37	120					22	215			
225 S			65	37	240	65			65	55 x 110	60 x 140
225 M	45	145		45	292		30	293			
250 M	55	177		55	356		37	361		60 x 140	65 x 140
280 S	75	241	80	75	484	80	45	438	80		75 x 140
280 M	90	289		90	581		55	535			
315 S	110	353	80	110	707	100	75	727	100	65 x 140	80 x 170
315 M	132	423		132	849		90	873			
315 L	160	513		160	1030		110	1070			
	200	641		200	1290		132	1280			
315	250	801	100	250	1610	125	200	1930	125		85 x 170
	315	1010		315	2020		250	2420			
355	355	1140	125	355	2280					75 x 140	95 x 170
	400	1280		400	2560		315	3040			

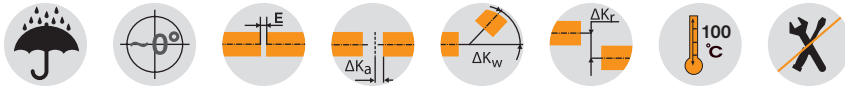
^ Torque T = rated torque according to Siemens catalogue.

BoWex® junior and junior M Bogenzahn-Kupplung®

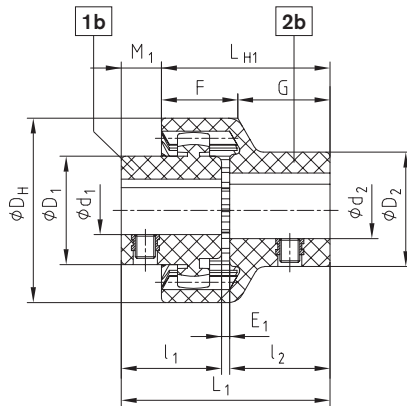
Plug-in coupling made of nylon (two-part and three-part)



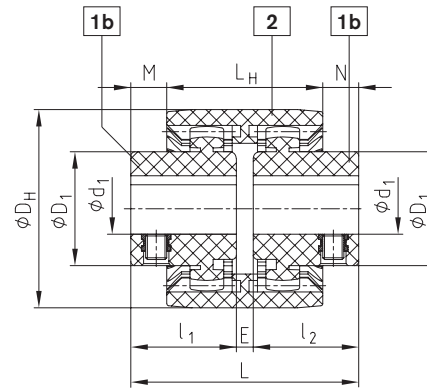
For legend of pictogram please refer to flapper on the cover



Components



Type junior plug-in coupling (two-part)



Type junior M coupling three-part

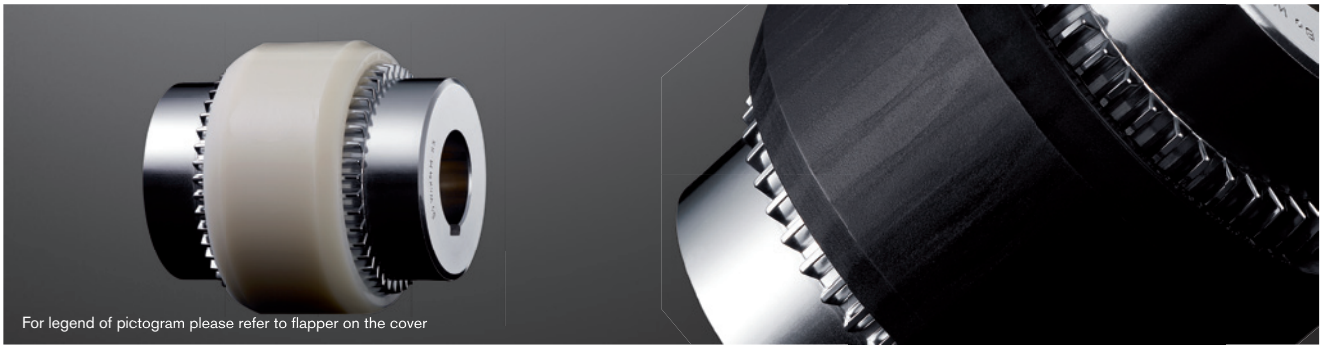
BoWex® junior plug-in coupling (two-part) and BoWex® junior M (three-part)																			
Size	Torque TK [Nm]		Finish bore				Dimensions [mm]										Max. speed [rpm]		
			Hub part 1b ¹⁾		Plug-in sleeve Part 2b ¹⁾		DH	l _{1, 2}	E ₁	L ₁	L _{H1}	M ₁	F	G	E	L		L _H	M, N
	d ₁	D ₁ ¹⁾	d ₂	D ₂ ¹⁾															
14 M-14	5	10	Ø6, Ø7, Ø8, Ø9	22	Ø8	22	40	23	2	48	40	8	18,5	21,5	4	50	37	6,5	6000
			Ø10, Ø11	25	Ø10, Ø11	25													
			Ø12, Ø14	26	Ø12, Ø14	26													
			Ø12, Ø14	27	Ø14, Ø15	29													
19 M-19	8	16	Ø16	30			47	25	2	52	42	10	19,0	23,0	4	54	37	8,5	6000
			Ø19	32	Ø19	35													
			Ø10, Ø11, Ø12	26															
			Ø14, Ø15, Ø16	32	Ø14, Ø16	32													
24 M-24	12	24	Ø18, Ø19, Ø20	36	Ø19, Ø20	36	53	26	2	54	45	9	21,5	23,5	4	56	41	7,5	6000
			Ø24	38	Ø24	40													

¹⁾Fertigbohrungen mit Toleranz +0,05 / -0,1, Passfedernuten +-0,08

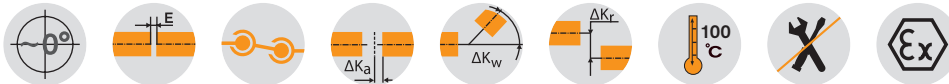
Ordering example:	BoWex® junior 19	d ₁ Ø19	d ₂ Ø14
	Coupling size two-part type or BoWex® junior M-19 three-part type	Finish bore	Finish bore

BoWex® M, I and M...C Curved-tooth gear coupling®

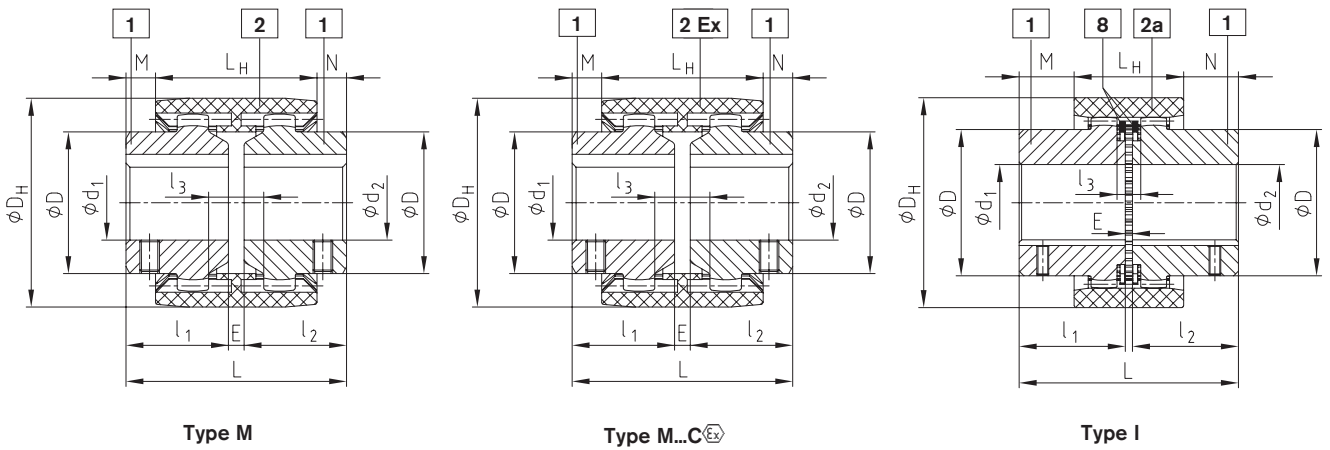
Compact and maintenance-free



For legend of pictogram please refer to flapper on the cover



Components



BoWex® type M, type I and type M...C ^{Ex}																				
Size		Finish bore d1, d2		Dimensions [mm]											Weight with max. bore Ø			Mass moment of inertia J with max. bore Ø		
		Pilot bored	max.	l1, l2	E	L	LH	M, N	l3	D	DH	Tip circle Ø DZ hub	Number of teeth	Hub length. l1, l2 max.	Sleeve [kg]	Hub [kg]	Total [kg]	Sleeve [kgcm²]	Hub [kgcm²]	Total [kgcm²]
White sleeve	Black sleeve ^{Ex}																			
M-14	M-14C	-	15	23	4	50	37	6,5	10	25	40	33	20	40	0,03	0,07	0,10	0,08	0,09	0,26
M-19	M-19C	-	20	25	4	54	37	8,5	10	32	47	39	24	40	0,03	0,10	0,23	0,15	0,16	0,47
M-24	M-24C	-	24	26	4	56	41	7,5	14	36	53	45	28	50	0,04	0,14	0,32	0,21	0,36	0,93
M-28	M-28C	-	28	40	4	84	46	19	13	44	65	54	34	55	0,08	0,33	0,74	0,65	1,22	3,09
M-32	M-32C	-	32	40	4	84	48	18	13	50	75	63	40	55	0,09	0,43	0,95	1,14	2,17	5,48
M-38	M-38C	-	38	40	4	84	48	18	13	58	83	69	44	60	0,13	0,55	1,23	1,58	3,55	8,68
M-42		-	42	42	4	88	50	19	13	65	92	78	50	60	0,14	0,68	1,50	2,32	5,98	14,28
M-48	M-48C	-	48	50	4	104	50	27	13	68	95	78	50	60	0,23	0,79	1,81	3,90	7,22	18,34
M-65	M-65C	21	65	55	4	114	68	23	16	96	132	110	42	70	0,55	1,90	4,35	21,2	31,8	84,8
I-80		31	80	90	6	186	93	46,5	20	124	178	145	46	-	1,13	5,20	11,53	68,9	150,8	370,5
I-100		38	100	110	8	228	102	63	22	152	210	176	48	-	1,78	9,37	20,52	158,6	401,3	961,2
I-125		45	125	140	10	290	134	78	30	192	270	225	54	-	3,88	19,44	42,76	562,9	1362,3	3287,5

BoWex® M used with black casing to +120 ° C

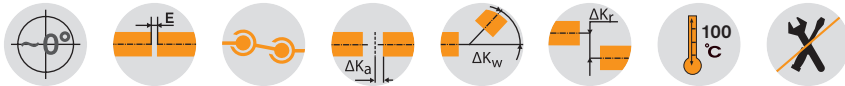
Ordering example:	BoWex® M-28	d1 Ø20	d2 Ø28
	Size and type of coupling	Finish bore H7 keyway to DIN 6885 sheet 1 (JS9)	Finish bore H7 keyway to DIN 6885 sheet 1 (JS9)

BoWex® AS and Spec.-I Curved-tooth gear coupling®

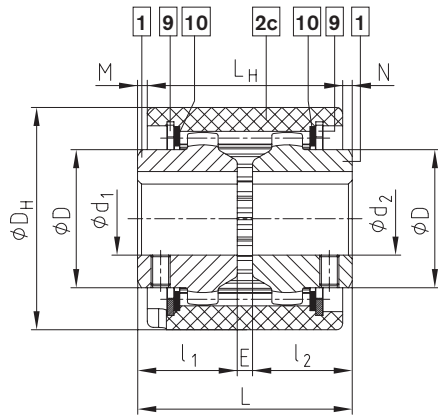
Compact and maintenance-free



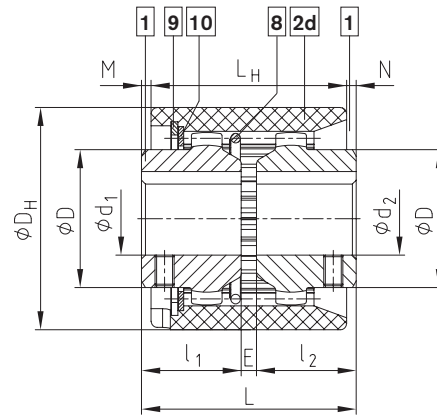
For legend of pictogram please refer to flapper on the cover



Components



Type AS



Type Spec.-I

BoWex® type AS and type Spec.-I

Size	Pilot bore		Finish bore d1, d2	Dimensions [mm]								Weight with max. bore Ø			Mass moment of inertia J with max. bore Ø			
	Unbored	Pilot bored		max.	l ₁ , l ₂	E	L	L _H	M, N	D	D _H	Hub length. l ₁ , l ₂ max.	Sleeve [kg]	Hub [kg]	Total [kg]	Sleeve [kgcm ²]	Hub [kgcm ²]	Total [kgcm ²]
24	x	-	Finish bores see stock programme	24	26	4	56	51	2,5	36	58	50	0,11	0,14	0,39	0,38	0,36	1,10
28	x	-		28	40	4	84	56	14	44	70	55	0,16	0,33	0,82	1,54	1,22	3,98
32	x	-		32	40	4	84	58	13	50	84	55	0,21	0,43	1,07	2,75	2,17	7,09
45	x	-		45	42	4	88	60	14	65	100	60	0,27	0,63	1,53	5,49	5,66	16,81
65	-	21		65	55	4	114	84	15	96	140	70	0,84	2,10	5,00	29,83	43,96	117,8
80	-	31		80	90	6	186	93	46,5	124	178	-	1,30	5,20	11,70	83,20	150,8	384,8
100	-	38		100	110	8	228	102	63	152	210	-	2,05	9,40	20,80	184,4	401,3	987,0
125	-	45	125	140	10	290	134	78	192	270	-	4,32	19,44	43,10	620,0	1362,3	3344,6	

Ordering example:

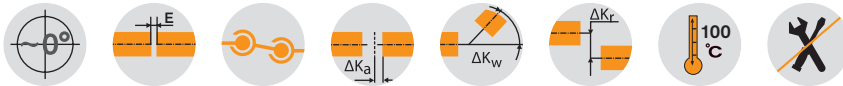
BoWex® 32 AS	d ₁ Ø32	d ₂ Ø32
Size and type of coupling AS or Spec.-I	Finish bore H7 keyway to DIN 6885 sheet 1 (JS9)	Finish bore H7 keyway to DIN 6885 sheet 1 (JS9)

BoWex® SG, SSR and Spec.-I/CD Curved-tooth gear coupling®

Type with dust protection



For legend of pictogram please refer to flapper on the cover



BoWex® type SG																			
Size	Pilot bore		Finish bore		Dimension [mm]								Weight with max. bore Ø			Mass moment of inertia J with max. bore Ø			
	Unbored	Pilot bored	min.	max.	l ₁ , l ₂	E	L	L _H	M, N	D	D _H	Hub length. l ₁ , l ₂ max.	Sleeve [kg]	Hub [kg]	Total [kg]	Sleeve [kgcm ²]	Hub [kgcm ²]	Total [kgcm ²]	
24 SG	x	-	10	24	36	4	76	51	12,5	36	58	50	0,11	0,14	0,39	0,38	0,36	1,1	
28 SG	x	-	10	28	40	4	84	56	14	44	70	55	0,16	0,33	0,82	1,54	1,22	3,98	
32 SG	x	-	12	32	40	4	84	58	13	50	84	55	0,21	0,43	1,07	2,75	2,17	7,09	
45 SG	x	-	20	45	42	4	88	60	14	65	100	60	0,27	0,63	1,53	5,49	5,66	16,81	
65 SG	-	21	30	65	70	4	144	84	30	96	140	-	0,84	2,1	5	29,83	43,96	117,8	
80 SG	-	31	35	80	90	6	186	93	46,5	122	175	-	1,3	5,2	11,7	83,2	150,8	384,8	
100 SG	-	38	40	100	110	8	228	102	63	150	210	-	2,05	9,4	20,8	184,4	401,3	987	
125 SG	-	45	50	125	140	10	290	134	78	190	270	-	4,32	19,44	43,1	620	1362,3	3344,6	

Thread for setscrews for finish bored hubs only.

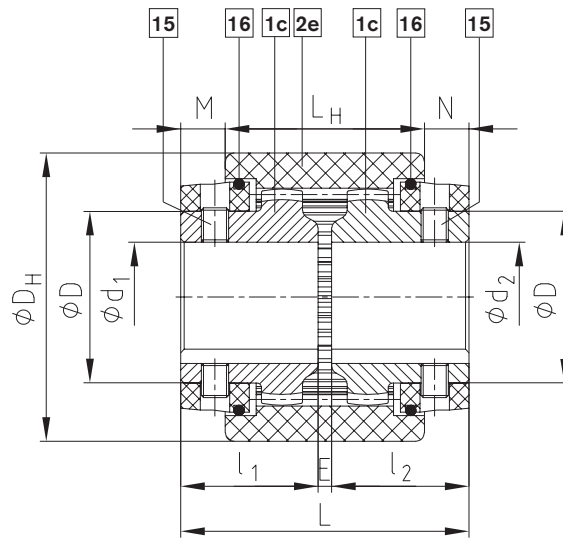
BoWex® type SSR																			
Size	Pilot bore		Finish bore		Dimension [mm]								Weight with max. bore Ø			Mass moment of inertia J with max. bore Ø			
	Unbored	Pilot bored	min.	max.	l ₁ , l ₂	E	L	L _H	M, N	D	D _H	Hub length. l ₁ , l ₂ max.	Sleeve [kg]	Hub [kg]	Total [kg]	Sleeve [kgcm ²]	Hub [kgcm ²]	Total [kgcm ²]	
24 SSR	x	-	10	22	26	4	56	51	2,5	35	58	50	0,11	0,14	0,39	0,38	0,36	1,1	
28 SSR	x	-	10	26	40	4	84	56	14	42	70	55	0,16	0,33	0,82	1,54	1,22	3,98	
32 SSR	x	-	12	30	40	4	84	58	13	48	84	55	0,21	0,43	1,07	2,75	2,17	7,09	
45 SSR	x	-	20	42	42	4	88	60	14	63	100	60	0,27	0,63	1,53	5,49	5,66	16,81	
65 SSR	-	21	30	65	55	4	114	84	15	95	140	70	0,84	2,1	5	29,83	43,96	117,8	
80 SSR	-	31	35	80	90	6	186	93	46,5	120	175	-	1,3	5,2	11,7	83,2	150,8	384,8	
100 SSR	-	38	40	100	110	8	228	102	63	150	210	-	2,05	9,4	20,8	184,4	401,3	987	
125 SSR	-	45	50	125	140	10	290	134	78	190	270	-	4,32	19,44	43,1	620	1362,3	3344,6	

BoWex® type Spec.-I/CD																					
Size	Pilot bore		Finish bore		Dimension [mm]										Weight with max. bore Ø			Mass moment of inertia J with max. bore Ø			
	Un-bored	Pilot bored	min.	max.	L	L ₁	L _H	E	E ₁	l ₂	l ₁	D _H	D	M	N	Sleeve [kg]	Hub [kg]	Total [kg]	Sleeve [kgcm ²]	Hub [kgcm ²]	Total [kgcm ²]
24 CD	x	-	10	24	70	73,5	51	4	9,0	26	40	58	36	20	2,5	0,11	0,14	0,39	0,38	0,36	1,1
28 CD	x	-	10	28	94,5	98	56	4	8,5	40	50,5	70	44	28	14	0,16	0,33	0,82	1,54	1,22	3,98
32 CD	x	-	12	32	94,5	-	58	4	8,5	40	50,5	84	50	27	13	0,21	0,43	1,07	2,75	2,17	7,09
45 CD	x	-	20	45	101,5	-	60	4	8,5	42	55,5	100	65	32	14	0,27	0,63	1,53	5,49	5,66	16,81
65 CD	-	21	30	65	123	-	84	4	10	55	64	140	96	28,5	15	0,84	2,1	5	29,83	43,96	117,8
80 CD	-	31	35	80	179	-	93	6	13	90	83	178	124	44	46,5	1,3	5,2	11,7	83,2	150,8	384,8

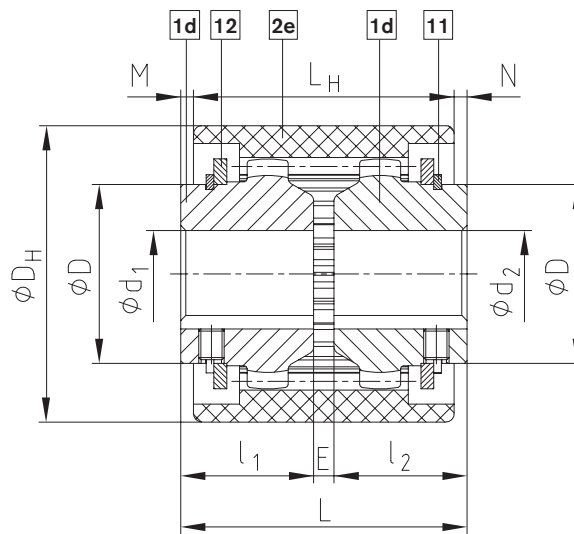
For type Spec.-I/CDB with safety pins please order dimension sheet.

Ordering example:	BoWex® 45 SG	d ₁ Ø22	d ₂ Ø40
	Size and type of coupling SG, SSR or Spec.-I/CD	Finish bore H7 keyway to DIN 6885 sheet 1 (JS9)	Finish bore H7 keyway to DIN 6885 sheet 1 (JS9)

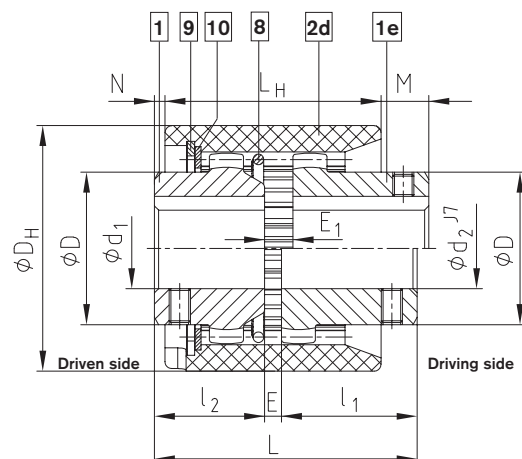
Type SG with dust protection circlips



Type SSR with supporting circlips

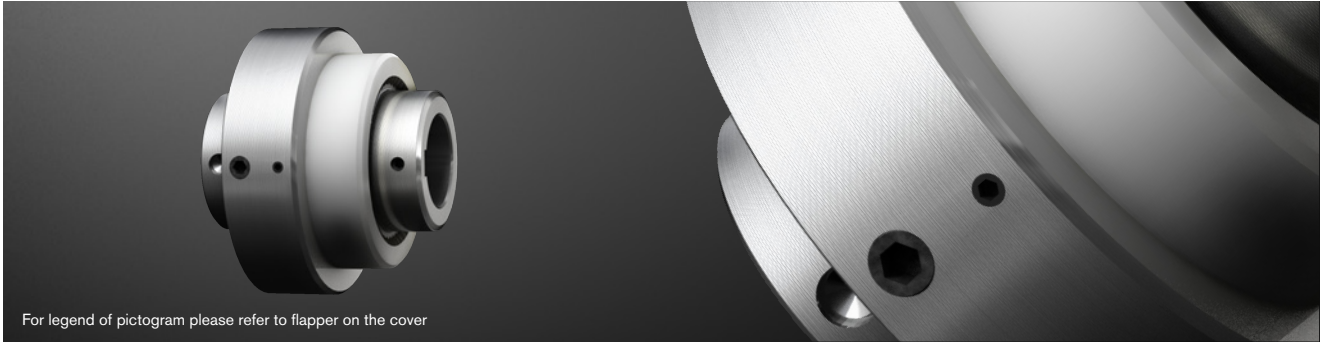


Type Spec.-I/CD

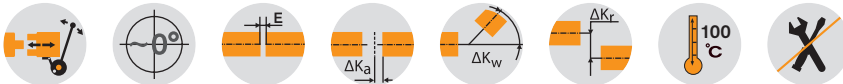


BoWex® SD/SD-D Curved-tooth gear coupling®

Shiftable coupling (at standstill)



For legend of pictogram please refer to flapper on the cover



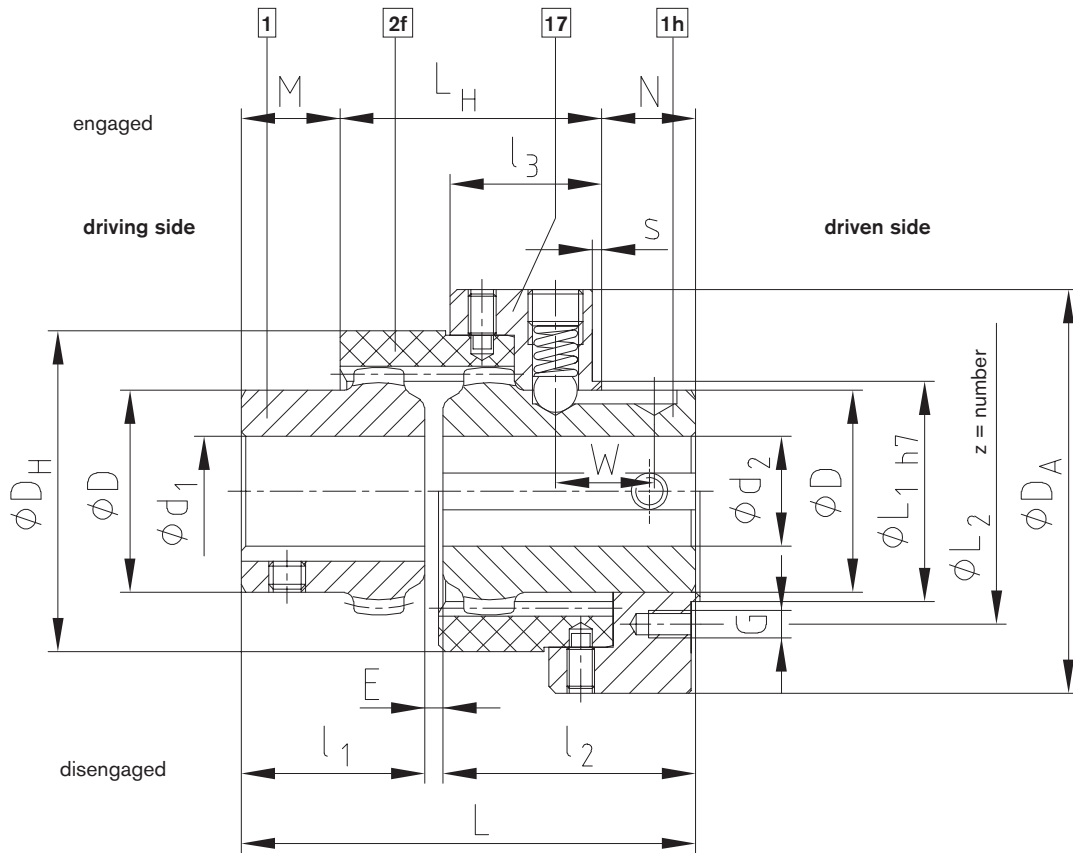
BoWex® type SD																							
Size	Pilot bore		Finish bore d1, d2			Dimensions [mm]													Weight with max. bore Ø		Mass moment of inertia J with max. bore Ø		Shifting force [N]
	Un-bored	Pilot bored	d1	d1 max.	d2 max.	E	l1	l2	L	LH	l3	M	W	N	D	DH	DA	Shifting hub with sleeve [kg]	Driving hub [kg]	Shifting hub with sleeve [kgcm²]	Driving hub [kgcm²]		
24 SD	x	-	24	24	4	26	50	80	52	31	10	19	18	36	58	78	1,08	0,14	8,23	0,36	140		
28 SD	x	-	28	28	4	40	55	99	57	33	21,5	21,5	20,5	44	70	88	1,50	0,33	15,62	1,22	180		
32 SD	x	-	32	32	4	40	55	99	58	33	20,5	21,5	20,5	50	84	100	1,85	0,43	22,87	2,17	180		
45 SD	x	-	45	45	4	42	60	106	63	37	21,5	22,5	21,5	65	100	125	2,56	0,68	46,07	5,66	250		
65 SD	-	21	65	65	4	55	70	129	77	37	28	25	24	95	140	156	5,07	2,30	158,99	43,96	350		
80 SD	-	31	80	80	6	90	90	186	96	47	56	35	34	124	175	195	10,60	5,20	523,7	150,8	350		
100 SD	-	38	100	100	8	110	110	228	113	55	72	43	43	152	210	235	18,87	9,37	1350	401,3	400		
125 SD	-	45	125	125	10	140	140	290	149	70	89	52	52	192	270	298	40,40	9,44	4919	1362,3	450		

Connection dimensions of BoWex® SD shifting ring (comp. 17) for mounting of: slip ring SD1 (s. catalogue on page 87), shifting disk etc.				
Size	Dimensions [mm]			
	L1	L2	z x G	s
24 SD	48	58	4 x M6	2
28 SD	48	58	4 x M6	2
32 SD	64	75	4 x M6	2
45 SD	75	90	4 x M8	2
65 SD	100	114	4 x M8	2
80 SD	130	145	4 x M8	3
100 SD	180	196	6 x M10	4
125 SD	220	236	6 x M10	4

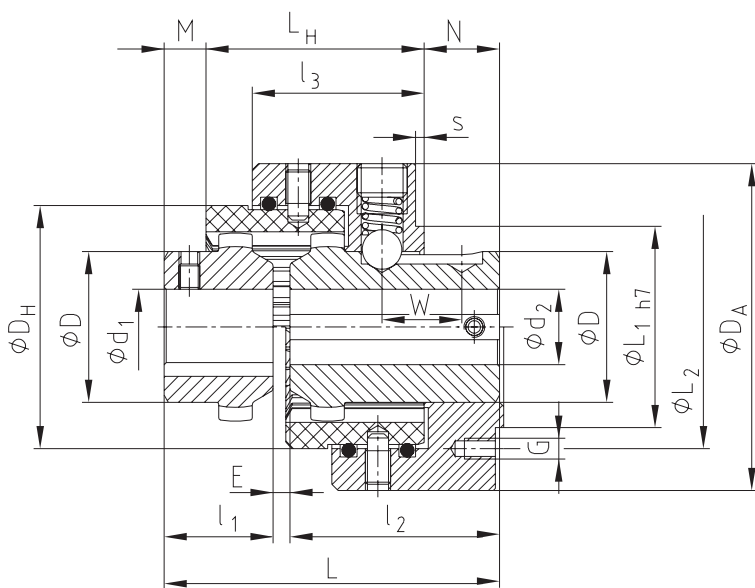
Performance data / torques see type M (page 84), max circumferential speed v=20 m/s, referring to ø DA
Other sizes on request

Ordering example:	BoWex® 32 SD	d1 Ø32	d2 Ø32
	Size and type of coupling	Finish bore H7 keyway to DIN 6885 sheet 1 (JS9)	Finish bore H7 keyway to DIN 6885 sheet 1 (JS9)

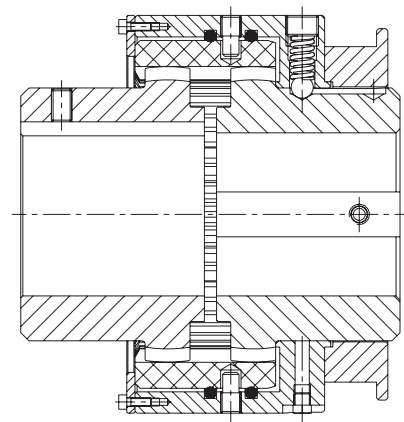
Components



BoWex® SD



BoWex® SD-D

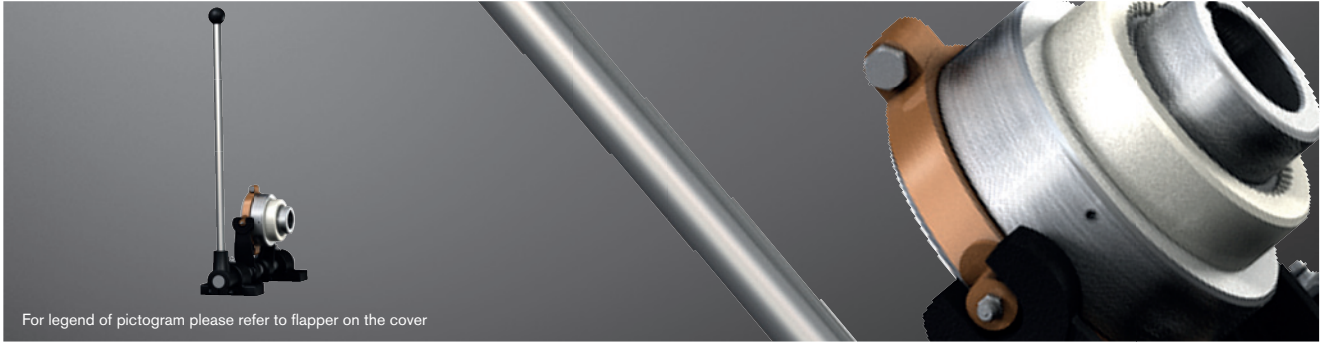


BoWex® SD-D3

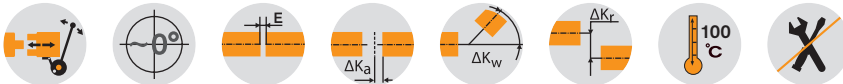
GEARex®

BoWex® SD1 Curved-tooth gear coupling®

Shiftable coupling with shiftable linkage (at standstill)



For legend of pictogram please refer to flapper on the cover



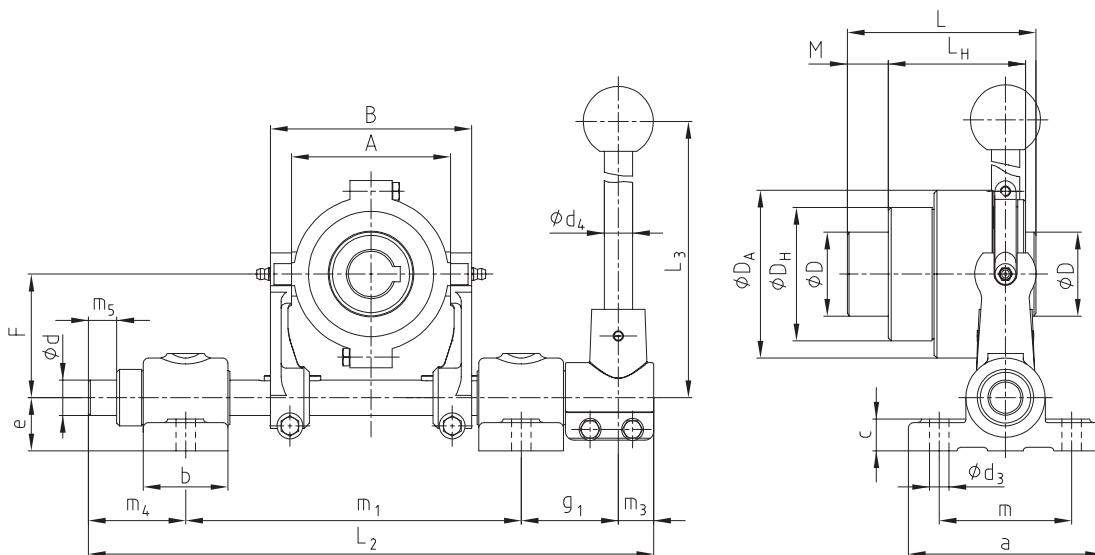
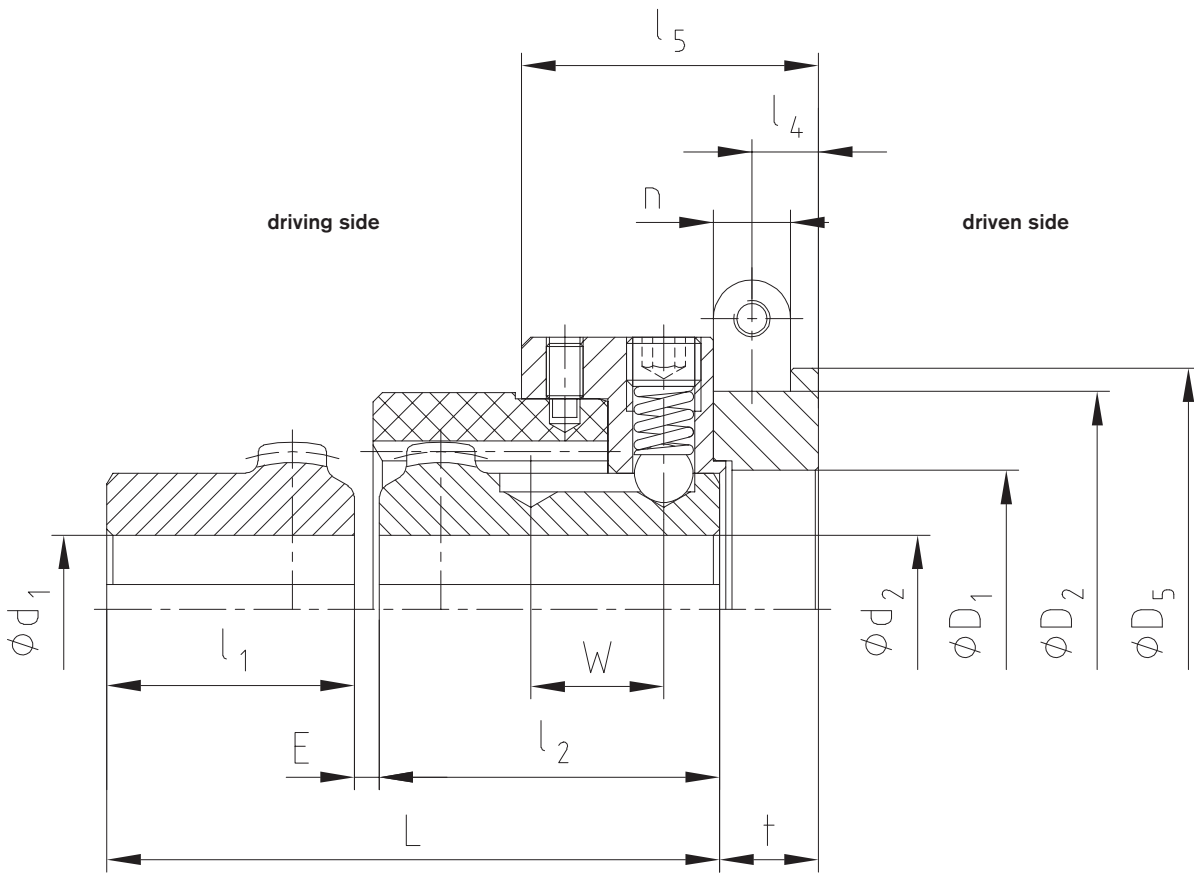
BoWex® type SD1 and slip ring																					
Size	Finish bore			Dimensions [mm]																	Shifting force [N]
	d1	d1 max.	d2 max.	E	l1	l2	L	LG	l4	l5	M	W	t	D	DH	DA	D1	D2±0,1 (keyway)	D5	n±0,1 (keyway)	
24 SD1	86	24	24	4	26	50	80	67	11	46	10	19	16	36	58	78	45	70,5	78	12,5	140
28 SD1		28	28	4	40	55	99	72	11	48	21,5	21,5	16	44	70	88	45	70,5	78	12,5	180
32 SD1		32	32	4	40	55	99	78	13,5	53	20,5	21,5	21	50	84	100	60	89,5	100	17,5	180
45 SD1	Finish bores see stock programme on page 86	45	45	4	42	60	106	84	14	58	21,5	22,5	22	65	100	125	70	112,5	125	18	250
		48	48	4	50	60	114	84	14	58	29,5	22,5	22	65	100	125	70	112,5	125	18	250
65 SD1		65	65	4	55	70	129	103	16	61	26	25	25	96	140	156	96	130,5	145	20,5	350
80 SD1		80	80	6	90	90	186	124	18,5	75	56	35	29	124	175	195	125	164,5	182	25,5	350
100 SD1		100	100	8	110	110	228	152	28	94	72	43	39	152	210	235	174	210,5	230	30,5	400
125 SD1		125	125	10	140	140	290	193	30,5	114	89	52	44	192	270	298	214	250,5	275	35,5	450

BoWex® type SD1 - shiftable linkage																					
Size	Shiftable linkage size	Slip ring size	Dimensions [mm]															Dimensions with m1 max.			
			a	b	c	d	d3	d4	e	F	g1	L2	L3	m	m1 min.	m1 max.	A	B	m3	m4	m5
24 SD1	1	1.1																			
28 SD1	1	1.1	110	50	18	20	11	16	30	70	55	320	400	75	180	190	90	114		55	16
32 SD1	2	2.2				25				97,5	60	430	450		240	270	111	151	20	80	34
45 SD1	3	3.3	140			30		20	40	120	70	490	600	100	280	310	140	180		90	44
65 SD1	3	4.4		60	25												170	210			
80 SD1	4	5.5				35	13,5			50	147,5				321	365	200	244		100	54
100 SD1	5	6.6	160			40		30	50 ¹⁾	190	80	630	1085	120	365	410	250	300	30	110	62
125 SD1	5	7.7													-		300	350			

¹⁾ = With a continuous base plate the dimension „e“ has to be increased by at least 10 mm. The brackets of driving and driven side have to be adapted accordingly. Also available as type SD-D. Other sizes on request.

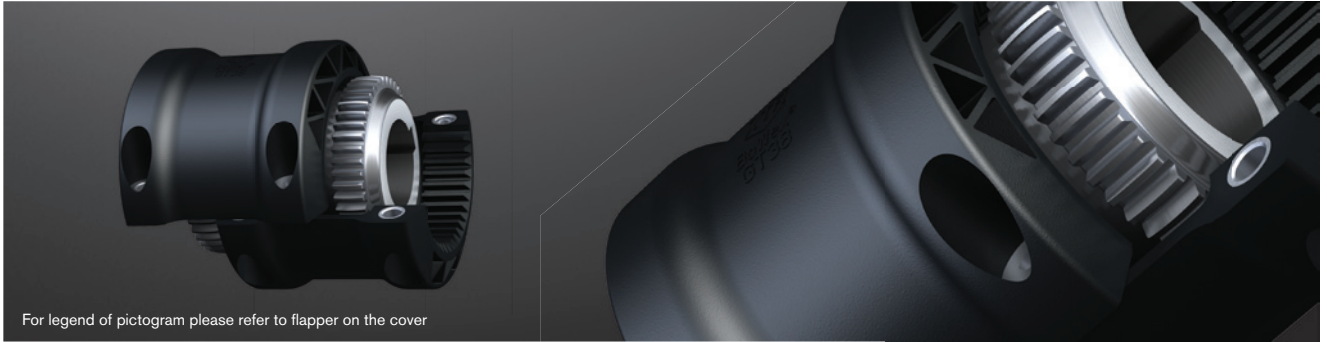
Performance data / torques see type M (on page 84), max. circumferential speed v=20 m/s, referring to ø DA

Ordering example:	BoWex® 65 SD1	d1 Ø32	d2 Ø32	4.4	3
	Coupling size and type	Finish bore H7 keyway to DIN 6885 sheet 1 (JS9)		Size of slip ring	Size of shiftable linkage

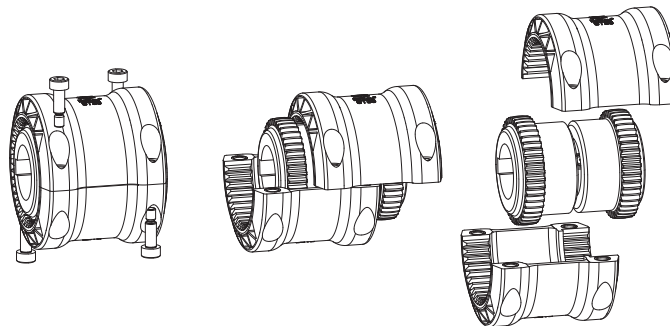
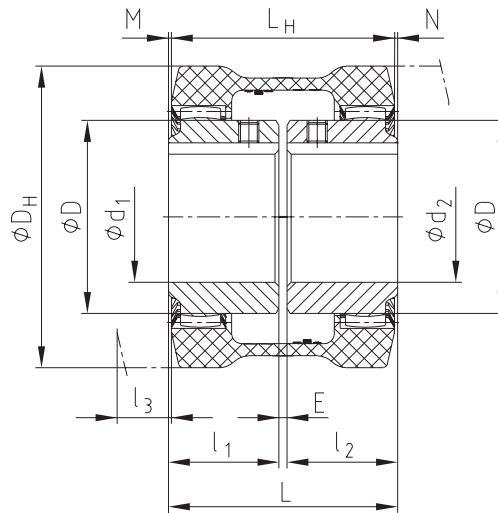
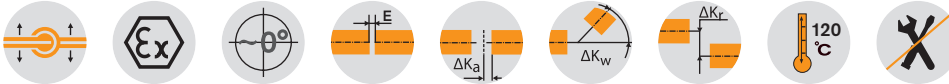


BoWex® GT Curved-tooth gear coupling®

Split CFK sleeve for high power density



For legend of pictogram please refer to flapper on the cover



BoWex® type GT with split sleeve

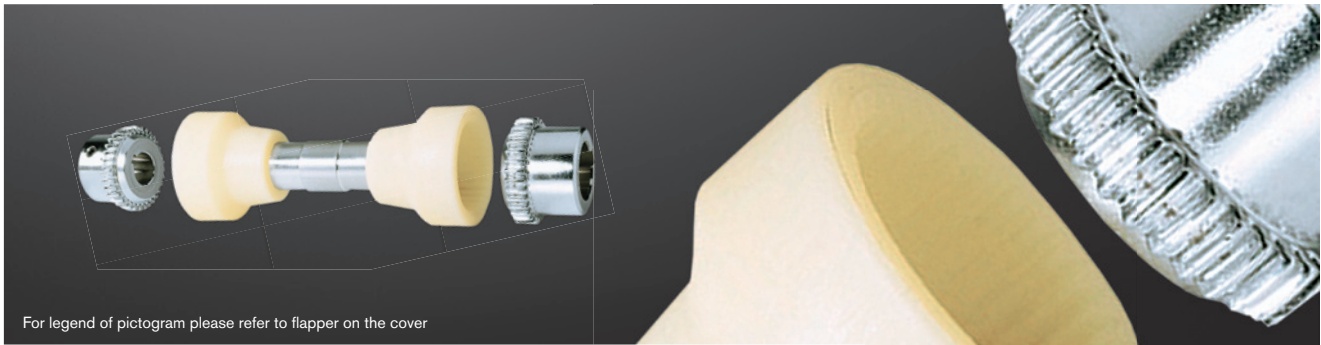
Size	Finish bore d_{max}		Dimensions [mm]									Weight with max. bore \emptyset			Mass moment of inertia J with max. bore \emptyset		
	d_1	d_2	D	D_H	L_H	l_1	l_2	l_3	E	L	M, N	Sleeve [kg]	Hub [kg]	Total [kg]	Sleeve [kgcm ²]	Hub [kgcm ²]	Total [kgcm ²]
28	28	28	44	80	80	40	40	15	4	84	2	0,158	0,22	0,702	1,77	1,22	4,21
38	38	38	58	98	83	40	40	18	4	84	0,5	0,25	0,45	1,15	4,43	3,36	11,15
48	48	48	68	110	106	50	50	21	4	104	0	0,33	0,67	1,68	7,39	6,11	19,61
65	65	65	96	150	111	55	55	27	4	114	1,5	0,69	1,54	3,77	28,9	31,80	92,5

l_3 Drop-out center dimension required

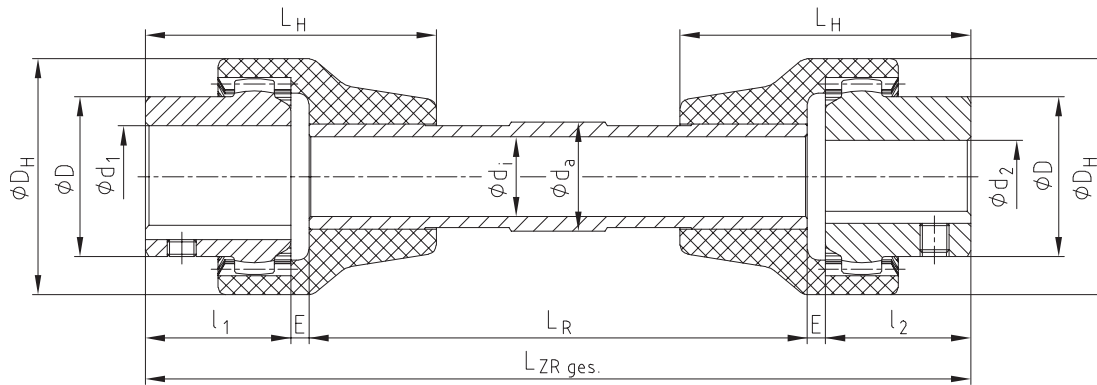
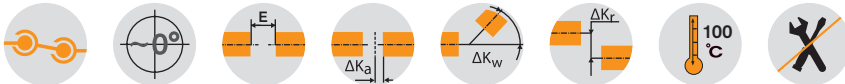
Ordering example:	BoWex® GT-28	d_1 $\emptyset 20$	d_2 $\emptyset 28$
	Size and type of coupling	Finish bore H7 keyway to DIN 6885 sheet 1 (JS9)	Finish bore H7 keyway to DIN 6885 sheet 1 (JS9)

BoWex® ZR Curved-tooth gear coupling®

Bridging larger shaft distances

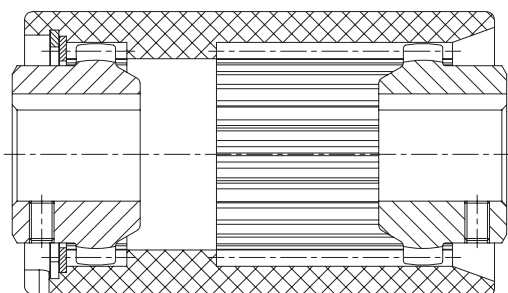


For legend of pictogram please refer to flapper on the cover



BoWex® type ZR															
Size	Pilot bore	Finish bore	Dimensions [mm]										Torque TK [Nm]		
		d1 max. d2 max.	l ₁ , l ₂	Hub length. l ₁ , l ₂ max.	LH	E	LZR total	LR	D	DH	d _i	d _a	TKN	TK max.	TKW
14	-	14	23	40	40	3			25	40	21	25	10	20	5
28	-	28	40	55	60	3	as indicated by		44	66	30	26	45	90	23
42	-	42	42	60	85	3	the customer		65	95	40	50	100	200	50
48	-	48	50	60	85	3			68	95	40	50	140	280	70

BoWex® ZR couplings are available up to a length of 2000 mm for serial applications only (nmax. = 1000 rpm)

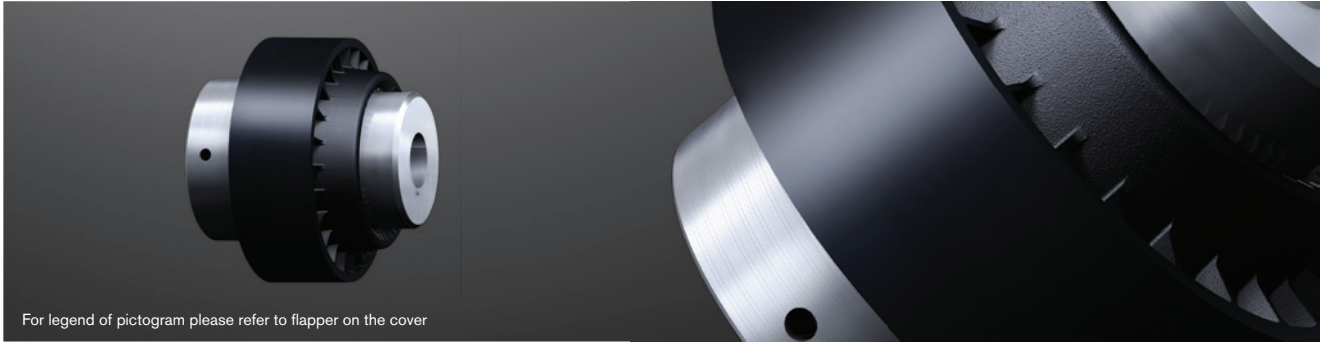


Type Spec.-I with a long PA-sleeve

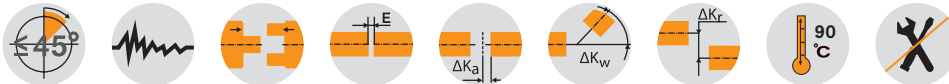
- Lengthened special sleeves available on request
- Bridging larger shaft distances
- Axial shifting of driving and driven shaft at standstill
- Maintenance-free
- Compensating for larger displacements
- Axial plug-in
- Application range from - 25 °C to + 100 °C
- BoWex® Spec.-I with lengthened sleeve on request

BoWex® HEW Compact Curved-tooth gear coupling®

Compensating for large displacements, very compact design



For legend of pictogram please refer to flapper on the cover



BoWex® type HEW Compact

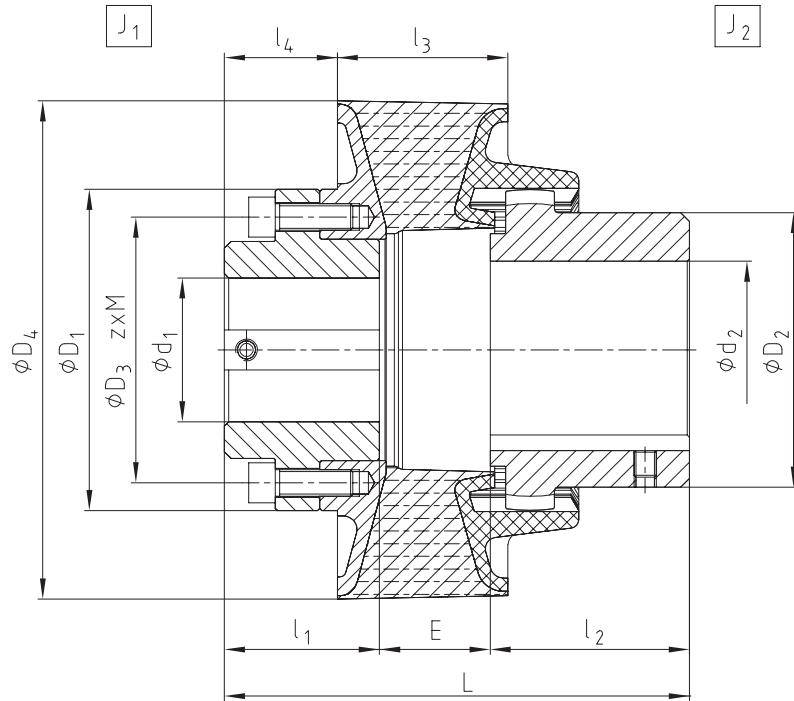
Size	Max. finish bore d		Dimensions [mm]													Weight with pilot bored coupling [kg]	Mass moment of inertia with pilot bored coupling J ₁ [kgm ²]	Mass moment of inertia with pilot bored coupling J ₂ [kgm ²]
	d ₁	d ₂	D ₁	D ₂	D ₄	l ₁	l ₂	l ₃	l ₄	E	L	L ₁	D ₃	z	M			
42-130	42	42	90	65	131	42	42	45	37	34	118	98	78	6	M6	3,4	0,003	0,001
65-180	65	65	130	96	180	60	55	55	47	30	145	122	110	8	M10	9	0,014	0,006
80-225	75	80	145	124	225	70	90	77	51	50	210	158	120	10	M12	18,9	0,035	0,029
100-305	100	100	200	152	305	90	110	90	73	58	258	187	175	16	M12	40,2	0,152	0,087
125-365	125	125	235	192	365	120	140	150	90	68	328	240	205	12	M16	75	0,36	0,26

Technical data

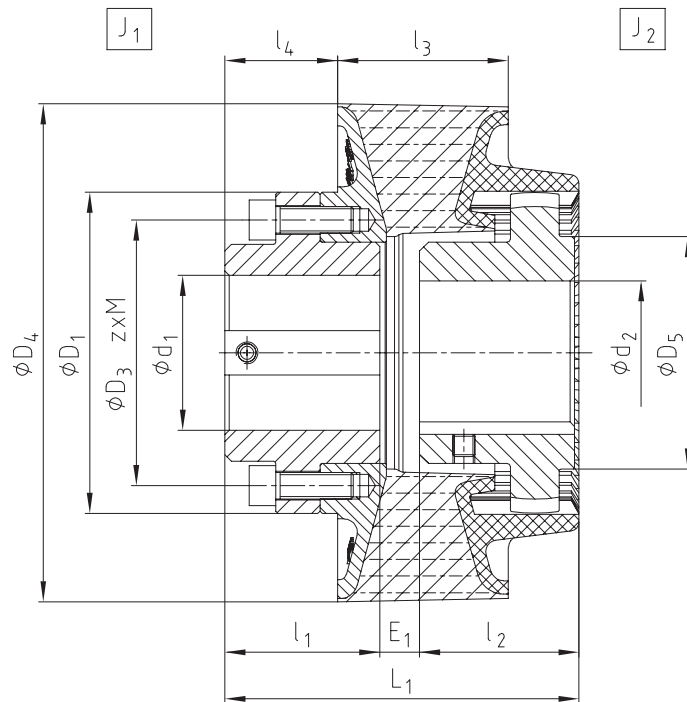
Coupling size	Elastomer hardness [Shore A]	Torque			Perm. operating speed n max. [rpm]	Perm. damping power			Dynamic torsion spring stiffness C _{t dyn} [Nm/rad]	Relative damping ψ	Resonance factor V _R ≈ 2·Π/ψ	Radial spring stiffness C _r [N/mm]
		T _{KN} [Nm]	T _{Kmax} [Nm]	With 10 Hz T _{KW} [Nm]		P _{KW} [W]						
						60 °C	80 °C	90 °C				
BoWex 42 HEW Compact	T50	150	450	45	7300	24	12	6	780	0,6	10,5	178
	T65	180	540	54					2400			
	T70	210	630	63					2900			
BoWex 65 HEW Compact	T50	400	1200	120	5500	48	24	12	2850	0,6	10,5	379
	T65	500	1500	150					7800			
	T70	575	1725	173					9500			
BoWex 80 HEW Compact	T50	900	2700	270	4400	96	48	24	5000	0,6	10,5	420
	T65	1100	3300	330					13000			
	T70	1300	3900	390					16500			
BoWex 100 HEW Compact	T50	2000	6000	600	3200	156	78	39	17000	0,6	10,5	760
	T65	2600	7800	780					44000			
	T70	3000	9000	900					50000			
BoWex 125 HEW Compact	T40	3000	9000	900	2900	192	96	48	15000	0,6	10,5	476
	T50	4000	12000	1200					25000			
	T65	5000	15000	1500					62000			

Ordering example:

BoWex® 65 HEW Compact	T50	d ₁ Ø40	d ₂ Ø65
Coupling size and type	Elastomer hardness	Finish bore H7 keyway to DIN 6885 sheet 1 (JS9)	Finish bore H7 keyway to DIN 6885 sheet 1 (JS9)



BoWex® HEW Compact with reduced hub



BoWex® M Curved-tooth gear coupling®

Made of corrosion-resistant materials



For legend of pictogram please refer to flapper on the cover



BoWex® junior plug-in coupling (two-part) and BoWex® junior M (three-part)

Size	Finish bore				Dimensions [mm]									
	Hub part 1b		Plug-in sleeve part 2b		D _H	l _{1, 2}	E ₁	E	L _{H1}	L _H	L ₁	L	M ₁	M, N
	d ₁	D ₁	d ₂	D ₂										
14	Ø6, Ø7, Ø8, Ø9	22	Ø8	22	40	23	2	4	40	37	48	50	8	6,5
M-14	Ø10, Ø11	25	Ø10, Ø11	25										
	Ø12, Ø14	26	Ø12, Ø14	26										
19	Ø12, Ø14	27	Ø14, Ø15	29	48	25	2	4	42	37	52	54	10	8,5
M-19	Ø16	30												
	Ø19	32												
24	Ø10, Ø11, Ø12	26	Ø14, Ø16	32	53	26	2	4	45	41	54	56	9	7,5
M-24	Ø14, Ø15, Ø16	32												
	Ø18, Ø19, Ø20	36												
	Ø24	38	Ø24	40										

BoWex® type M

Size	Finish bore d ₁ max., d ₂ max.	Dimensions [mm]						
		D _H	D	l _{1, 2}	E	L _H	L	M, N
M-24	24	53	36	26	4	41	56	7,5
M-38	38	83	58	40	4	48	84	18
M-48	48	95	68	50	4	50	104	27

Other coupling sizes: M24C, M38C, M48C on request. Setscrews with BoWex Junior coupling are made of V4A as a standard.

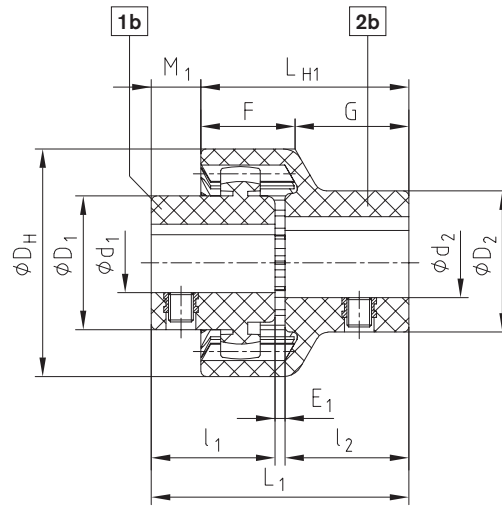
Applications:

Food industry, print and paper industry, textile industry, sewage technology, wash-mobiles, chemical and pharmaceutical industry, offshore units, etc. For use in aggressive environment (air, water, chemicals, etc.).

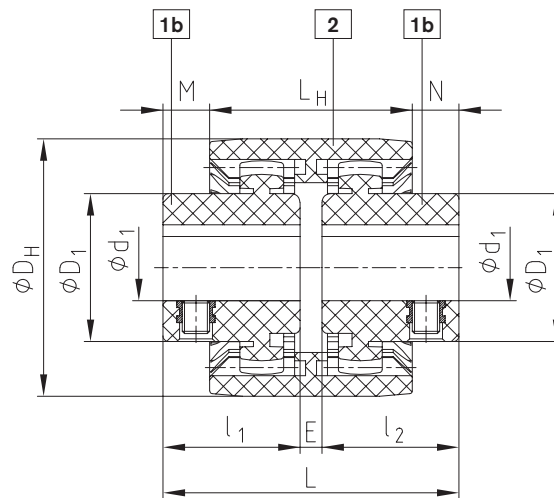
Ordering
example:

BoWex® M-24 V4A	d ₁ Ø20	d ₂ Ø24
Size and type of coupling	Finish bore H7 keyway to DIN 6885 sheet 1 (JS9)	Finish bore H7 keyway to DIN 6885 sheet 1 (JS9)

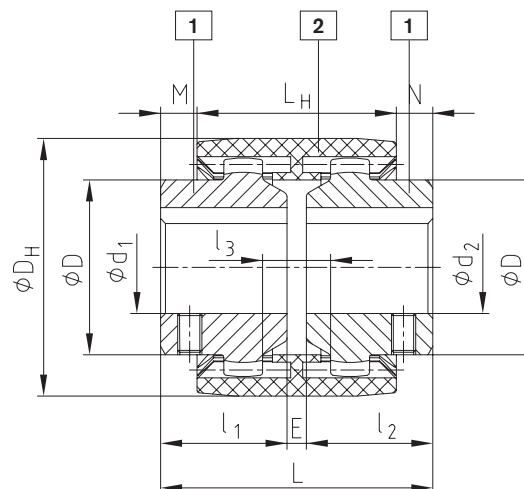
Type junior plug-in coupling (two-part)



Type junior M coupling (three-part)



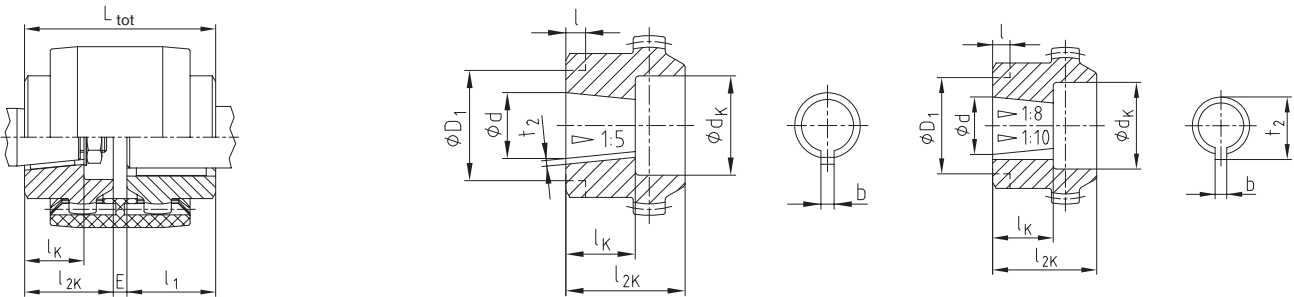
Type M V4A



BoWex® Curved-tooth gear coupling®

Taper bores

BoWex® with taper bore



$$L_{Ges} = l_1 + E + l_{2K}$$

Stock items see page 86

Taper bores 1:5																						
Dimensions [mm]					Counterbore dK and hub length l2K [mm] Recess on hub collar D1 x l [mm]																	
Code	Details of bores				14		19		24		28		32		38		42		48		65	
	d ^{+0,05}	b ^{IS9}	t ₂ ^{+0,1}	l _K	d _K	l _{2K}	d _K	l _{2K}	d _K	l _{2K}	d _K	l _{2K}	d _K	l _{2K}	d _K	l _{2K}	d _K	l _{2K}	d _K	l _{2K}	d _K	l _{2K}
A-10	9,85	2	1,0	11,5	18	23	18	25	25	26	25	26	25	26	25	26						
B-17	16,85	3	1,8	18,5			25	30	28	30	36	40	36	40	36	40	45	42	45	42	45	50
C-20	19,85	4	2,2	21,5					28	36	36	40	36	40	36	40	45	42	45	42	45	50
Cs-22	21,95	3	1,8	21,5					28	36	36	40	36	40	36	40	45	42	45	42		
D-25	24,85	5	2,9	26,5							36	40	36	40	36	40	45	42	45	42	45	50
E-30	29,85	6	2,6	31,5									45	55	45	55	45	55	45	55	45	55
F-35	34,85	6	2,6	36,5														52	60	55	60	
G-40	39,85	6	2,6	41,5														52	60	65	70	

Taper bores 1:8																						
Dimensions [mm]					Counterbore dK and hub length l2K [mm] Recess on hub collar D1 x l [mm]																	
Code	Details of bores				14		19		24		28		32		38		42		48		65	
	d ^{+0,05}	b ^{IS9}	t ₂ ^{+0,1}	l _K	d _K	l _{2K}	d _K	l _{2K}	d _K	l _{2K}	d _K	l _{2K}	d _K	l _{2K}	d _K	l _{2K}	d _K	l _{2K}	d _K	l _{2K}	d _K	l _{2K}
N/1	9,7 ±0,015	2,4 ^{+0,05}	10,85	17	18	26	18	25	25	26	25	30	25	30	25	30						
N/1c	11,6	3 ^{IS9}	12,90	16,5	18	23			25	26	25	30										
N/1e	13	2,4 ^{+0,05}	13,80	21					25	30	25	30			25	30						
N/1d	14	3 ^{IS9}	15,50	17,5	20	23	25	30	28	30	28	30	28	40								
N/2	17,287	3,2 ^{+0,05}	18,24	24					28	35	36	40	36	40	36	40	45	42	45	42	45	50
N/2a	17,287	4 ^{IS9}	18,94	24					28	35	36	40	36	40	36	40	45	42	45	42	45	50
N/2b	17,287	3 ^{IS9}	18,34	24					28	35					36	40	45	42	45	42		
N/3	22,002	4 ^{IS9}	23,40	28							36	40	36	40	36	40	45	42	45	42	45	50
N/4	25,463	4,78 ^{+0,05}	27,83	36							36	50	36	50	36	50	45	50	45	50	45	62
N/4b	25,463	5 ^{IS9}	28,23	36							36	50					45	50	45	50	45	62
N/4a	27	4,78 ^{+0,05}	28,80	32,5											36	50						
N/4g	28,45	6 ^{IS9}	29,32	38,5											36	60	45	60	45	60		
N/5	33,176	6,38 ^{+0,05}	35,39	44											45	60	45	60	45	60	45	62
N/5a	33,176	7 ^{IS9}	35,39	44											45	60	45	60	45	60	45	62

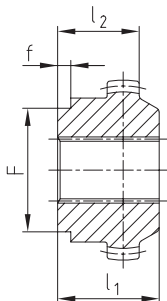
Taper bores 1:10																						
Dimensions [mm]					Counterbore dK and hub length l2K [mm]																	
Code	Details of bores				14		19		24		28		32		38		42		48		65	
	d ^{+0,05}	b ^{IS9}	t ₂ ^{+0,1}	l _K	d _K	l _{2K}	d _K	l _{2K}	d _K	l _{2K}	d _K	l _{2K}	d _K	l _{2K}	d _K	l _{2K}	d _K	l _{2K}	d _K	l _{2K}	d _K	l _{2K}
CX-20	19,85	5	22,08	32							36	50			36	50	45	50	45	50		
DX-25	24,95	6	26,68	45									36	50			45	60	45	60	45	60
EX-30	29,75	8	31,88	50													45	60	45	60	45	70

BoWex® Curved-tooth gear coupling®

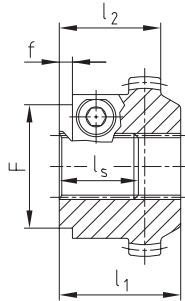
Spline hubs and inch bores

BoWex® spline hubs – basic programme

Spline hub (N)



Clamping hub (K)



If it is not possible to fasten the hubs of pump shafts with involute spline by means of an end plate and a screw, we recommend to use our spline clamping hub.

The radial clamping ensures a backlash-free tight fit on the pump shaft.

Spline and clamping hubs to DIN 5480

Size	Dimensions [mm]							Order designation specify coupling size
	Type	Spline size	l ₁	l ₂	l _S	F	f	
42	N	25x1,25x18	42	-	-	-	-	P000205
	K	25x1,25x18	42	-	-	-	-	P500202
48	K	30x2x14	42	-	-	60	6	P500203
	N	30x2x14	50	-	-	60	6	P000206
	K	30x2x14	50	-	-	60	6	P500203
65	N	35x2x16	55	-	-	60	6	P000303
	K	35x2x16	60	-	-	60	6	P500301
	N	40x2x18	55	-	-	78	6	P000304
65	K	40x2x18	60	-	-	78	6	P500302
	K	45x2x21	55	-	-	78	6	P500401

Spline and clamping hubs to SAE J498

Size	Dimensions [mm]							Order designation specify coupling size
	Type	Spline size	l ₁	l ₂	l _S	F	f	
42	K	PH-S 5/8"	42	-	-	-	-	P558101
		16/32DP, z=9						
	K	PI-S 3/4"	-	35	-	-	-	P559101
42	K	16/32DP, z=11	-	-	-	-	-	P559101
	K	PB-S 7/8"	42	-	-	60	3	P567101
42	K	16/32DP, z=13	-	-	-	-	-	P567101
	K	PB-BS 1"	42	-	27	50	6	P660201
48	K	16/32DP, z=15	-	-	-	-	-	P660201
	K	PA-S 3/8"	50	-	45	52	7	P663301
48	K	16/32DP, z=21	-	-	-	-	-	P663301
	K	PA-S 3/8"	55	-	48	52	5	P663301
65	K	16/32DP, z=21	-	-	-	-	-	P663301
	K	PC-S 1 1/4"	55	-	44	52	5	P656201
65	K	12/24DP, z=14	-	-	-	-	-	P656201
	K	12/24DP, z=14	-	-	-	-	-	P656201

Inch bores – stock items see stock programme on page 86

Code	Dimensions [mm]				Code	Dimensions [mm]				Code	Dimensions [mm]			
	Ød	Ød [inch]	b ^{+0,05}	t ₂ ^{+0,2}		Ød	Ød [inch]	b ^{+0,05}	t ₂ ^{+0,2}		Ød	Ød [inch]	b ^{+0,05}	t ₂ ^{+0,2}
Tb	9,5 ^{+0,03}	3/8	3,17	11,1	F	22,22 ^{+0,03}	7/8	6,38	25,2	M	34,92 ^{+0,03}	1 3/8	7,93	38,6
DNB	11,11 ^{M7}	7/16	2,4	12,5	Gd	22,225 ^{M7}	7/8	4,76	24,7	RH1	34,93 ^{M7}	1 3/8	9,55	37,8
T	12,69 ^{H7}	1/2	4,75	14,6	Gf	23,80 ^{+0,03}	15/16	6,35	26,8	Cb	36,50 ^{+0,03}	1 7/16	9,55	40,9
Ta	12,7 ^{+0,03}	1/2	3,17	14,3	B	25,37 ^{+0,03}	1	4,78	27,8	Ca	38,07 ^{+0,03}	1 1/2	7,93	42,0
DNC	13,45 ^{M7}	17/32	3,17	14,9	Ba	25,37 ^{+0,03}	1	6,35	27,6	C	38,07 ^{+0,03}	1 1/2	9,55	42,5
E	15,87 ^{+0,03}	5/8	3,17	17,5	Bs	25,38 ^{+0,03}	1	6,37	28,3	N	41,25 ^{+0,03}	1 5/8	9,55	45,6
S	15,87 ^{+0,03}	5/8	3,97	17,9	H	25,40 ^{+0,03}	1	4,78	27,8	Nb	41,275 ^{M7}	1 5/8	9,55	45,8
Es	15,88 ^{+0,03}	5/8	4,0	17,7	DNF	25,38 ^{H7}	1	6,35	28,4	Ls	44,42 ^{+0,03}	1 3/4	9,55	48,8
DND	15,852 ^{H7}	5/8	4,75	18,1	Hs	25,40 ^{+0,03}	1	6,35	28,7	L	44,45 ^{K7}	1 3/4	11,11	49,4
Ed	15,87 ^{+0,03}	5/8	4,75	18,1	Sa	28,575 ^{M7}	1 1/8	6,35	31,7	Lu	47,625 ^{M7}	1 7/8	12,7	53,5
DNH	17,465 ^{H7}	11/16	4,75	19,6	Sb	28,58 ^{+0,03}	1 1/8	6,35	31,5	Da	49,20 ^{+0,03}	1 15/16	12,7	55,0
Ad	19,02 ^{+0,03}	3/4	3,17	20,7	Sd	28,58 ^{+0,03}	1 1/8	7,93	32,1	Ds	50,77 ^{+0,03}	2	12,7	56,4
As	19,02 ^{+0,03}	3/4	4,78	21,3	Ja	31,70 ^{H7}	1 1/4	7,93	34,4	D	50,80 ^{+0,03}	2	12,7	55,1
A	19,05 ^{+0,03}	3/4	4,78	21,3	Jc	31,71 ^{+0,03}	1 1/4	7,93	35,3	P	53,95 ^{+0,03}	2 1/8	12,7	59,6
Fa	22,20 ^{+0,03}	7/8	6,35	25,2	Js	31,75 ^{+0,03}	1 1/4	6,35	34,6	Pa	53,975 ^{M7}	2 1/8	12,7	60,0
Ga	22,21 ^{H7}	7/8	4,75	24,8	J	31,75 ^{+0,03}	1 1/4	7,93	34,4	Ub	60,325 ^{M7}	2 3/8	15,875	67,6
DNI	22,228 ^{H7}	7/8	6,35	25,0	K	31,75 ^{K7}	1 1/4	7,93	35,5	Wa	73,025 ^{M7}	2 7/8	19,05	81,7
Gs	22,22 ^{+0,03}	7/8	4,78	24,4	DNK	31,755 ^{H7}	1 1/4	7,93	35,3	Wd	85,725 ^{M7}	3 3/8	22,225	95,8
G	22,22 ^{+0,03}	7/8	4,75	24,7	Ma	34,925 ^{M7}	1 3/8	7,93	38,7	Wf	92,075 ^{M7}	3 5/8	22,225	101,9

The splines and inch bores specified are only a part of KTR's options. Many other variants are available, too.